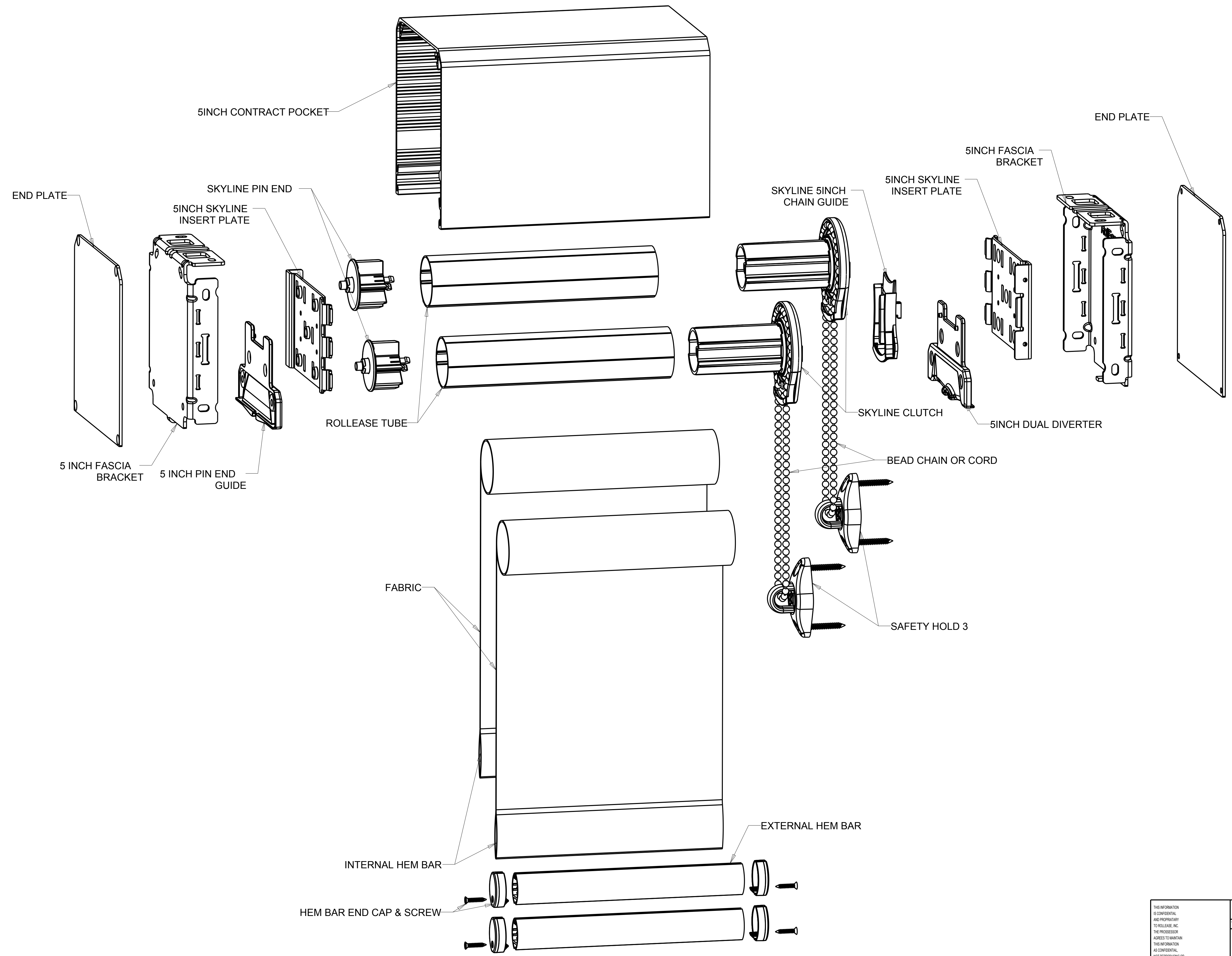


REVISION RECORD				
SYM	DESCRIPTION	BY	DATE	CHK



<small>THIS INFORMATION IS CONFIDENTIAL AND PROPRIETARY TO ROLLEASE, INC. THE POSSESSOR AGREES TO MAINTAIN THIS INFORMATION AS CONFIDENTIAL, NOT REPRODUCE OR DISSEMINATE IN WHOLE OR IN PART TO ANY THIRD PARTY.</small>	INCHES		RollEase Window Covering Systems	
	TOLERANCES			
	X.XX ± 0.015	DESIGNED BY	SKYLINE 5 INCH CONTRACT DUAL SHADE	
	X.XXX ± 0.005	DATE	18JUN14	1
ANG ± 1°	SCALE	D	1/1	
			A1079	
			1	