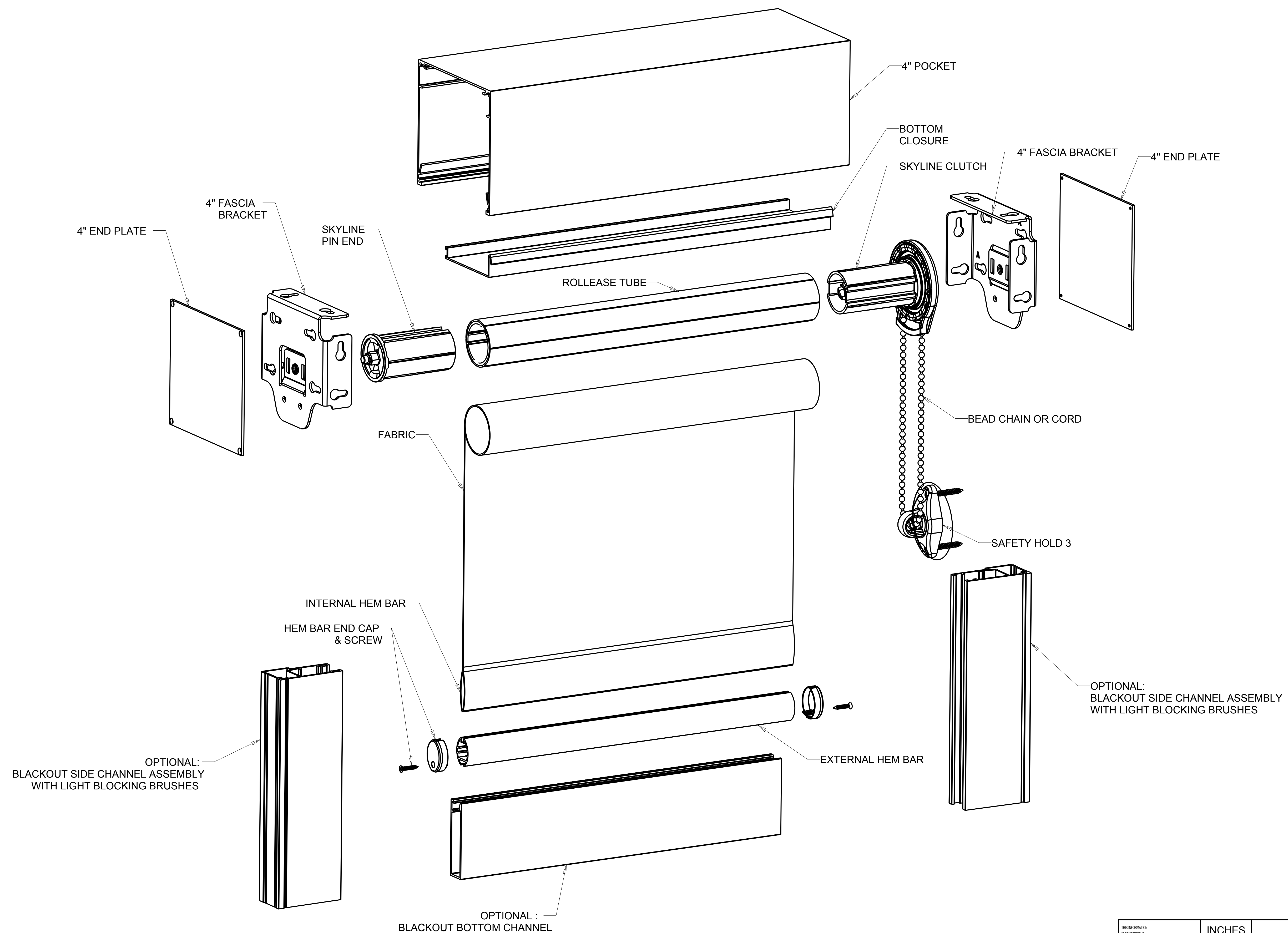


REVISION RECORD				
SYM	DESCRIPTION	BY	DATE	CHK



<small>THIS INFORMATION IS CONFIDENTIAL AND PROPRIETARY TO ROLLEASE, INC. THE POSSESSOR AGREES TO MAINTAIN THIS INFORMATION AS CONFIDENTIAL, NOT REPRODUCING OR DISSEMINATE IN WHOLE OR IN PART TO ANY THIRD PARTY.</small>	INCHES	<b>RollEase</b> Window Covering Systems		
	TOLERANCES	<small>XXX ± 0.015</small> <small>XXXX ± 0.005</small> <small>ANG ± 1°</small>	<small>DATE</small> <b>09MAY13</b>	<small>TITLE</small> <b>4" CONTRACT SL20</b>
	<small>SCALE</small> <b>D</b>	<small>ENGINEERING DRAWING NUMBER</small> <b>W174P022</b>	<small>REV</small> <b>1</b>	<small>SOLD TO</small> <b>1.6</b>
	<small>DATE</small> <b>09MAY13</b>			